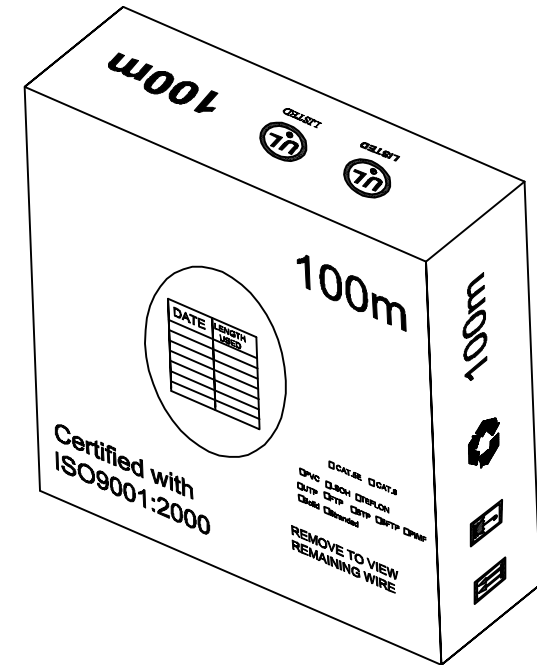
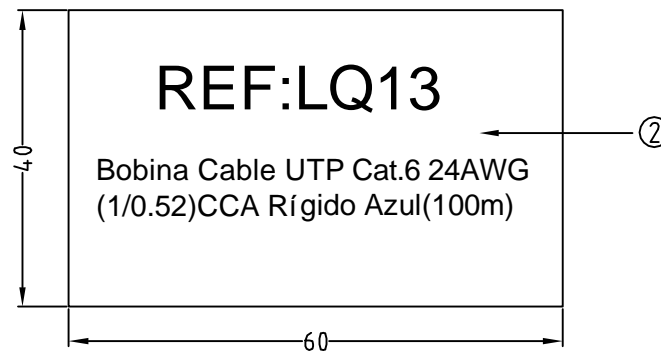
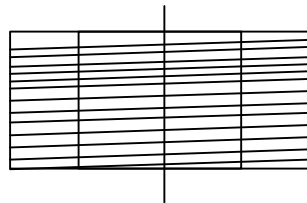
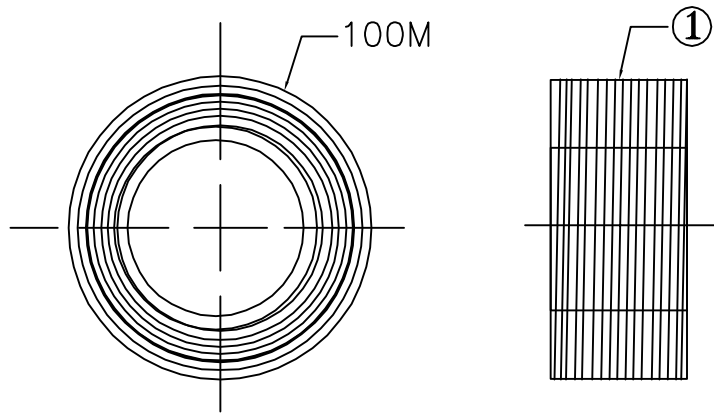


WEIGHT	CUSTOMER NO:	REMARK
M1-2062g	LQ13	Cablematic



**CABLE:**

1) CAT.6 UTP 24#4P(1/0.52)WITH"+" CCA SOLID TYPE  
OD6.0MM BLUE(1701) 100M/ROLL PRINT:1M : : 100M RoHS

**NOTE:**

- 線上標明長度:1M. ....100M易拉箱抽取端為100M.
- 線材中間不可有接頭.
- 供應商中性包裝(易拉箱+外箱), 貼紙貼于易拉箱的左側左下角.
- 產品要符合RoHS標準.
- 南通線材標準印字.

A		FIRST EDITION	W/L	11/11/25
REV.	ECR	DESCRIPTION	C.N.	DATE
THESE DRAWINGS AND SPECIFICATIONS ARE THE PROPERTY OF WIRETEK COMPUTER LIMITED AND SHALL NOT BE REPRODUCED COPIED OR USED IN ANY MANNER WITHOUT THE PRIOR WRITTEN CONSENT OF WIRETEK COMPUTER LIMITED.		TITLE		
UNLESS OTHERWISE SPECIFIED: DIMENSIONS ARE IN MILLIMETERS ANGULAR TOLERANCE: ±1.0°		UTP CABLE		
DIMENSIONS		TOLERANCE	CHKD.	CONF.
0.00 TO 30.00mm		±0.10mm		
30.01 TO 80.00mm		±0.13mm	DR. W.L	APPD.
80.01 TO 150.00mm		±0.15mm		
150.01mm		±0.20mm	PART NO.	
MATERIAL		2615-1287		
FINISH		SCALE	SHEET 1/1	UNIT MM
		SIZE A4	REV. A	